

2FB6SBTH

Lead Free, Full Port Brass Ball Valves Solder End

SPECIFICATION

- Full Port
- Forged Brass Body
- Solder-Joint Confirm to ASME B16.22
- Blow Out Proof Stem Design
- Packing Nut & O-RING
- Handle With Vinyl Grip

PERFORMANCE RATING

- Max Working Pressure 600psi
- Temperature Range : -20°F to 300°F

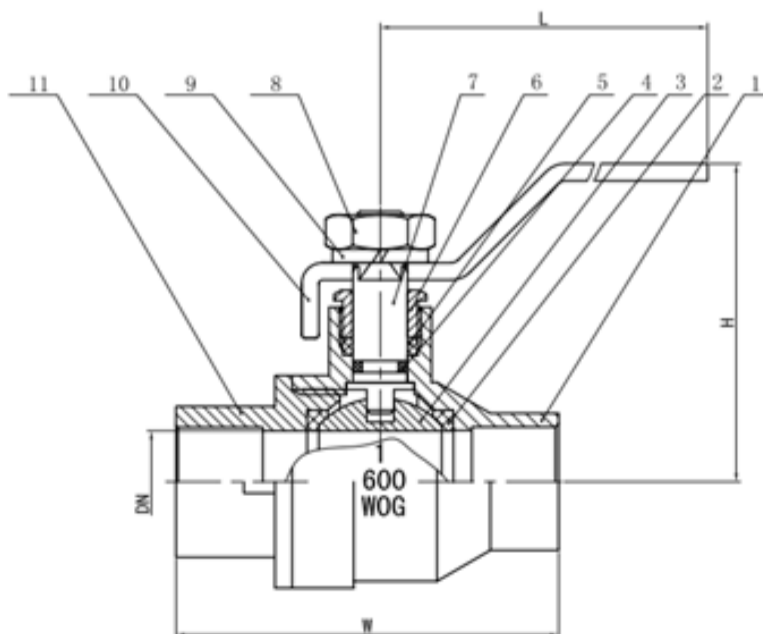


MATERIAL

No.	Part Name	Material
1	Body	Lead Free Brass
2	Seat	PTFE
3	Ball	Stainless Steel
4	Stem O-Ring	NBR
5	Packing Nut	Brass
6	Stem	Stainless Steel
7	Handle Nut	Plated Steel
8	Lock Washer	Plated Steel
9	Packing	PTFE
10	Handle	Plated Steel
11	Cap	Lead Free Brass

DIMENSIONS

SIZE	PORT SIZE	W(REF)	H(REF)	L(REF)
1/2"	0.591"	2.162"	1.81"	3.35"
3/4"	0.748"	2.815"	2.09"	4.29"
1"	0.984"	3.267"	2.25"	4.29"
1-1/4"	1.259"	4.134"	2.52"	5.63"
1-1/2"	1.574"	4.331"	2.74"	5.63"
2"	1.941"	5.335"	3.03"	5.63"
2-1/2"	2.520"	6.417"	4.25"	7.76"
3"	2.874"	7.146"	4.84"	8.37"
4"	3.819"	9.567"	5.75"	9.25"



APPROVALS

CSA	1/4"-4" Per ANSI Z21.15/CSA 9.1 for 1/2 psig
	1/4"-4" Per ASME B16.44/CR91-002 for 5 psig
	1/4"-4" Per CGA3.16 for 125 psig
UL	1/2"-2" UL 842(Guide YRBX,MHKZ)
	1/4"-2" UL 125(Guide YSDT,YRPV)
	1/4"-2" UL 1477(Guide YQNZ)
FM	1/4"-2" Per FM1140 for 600psig