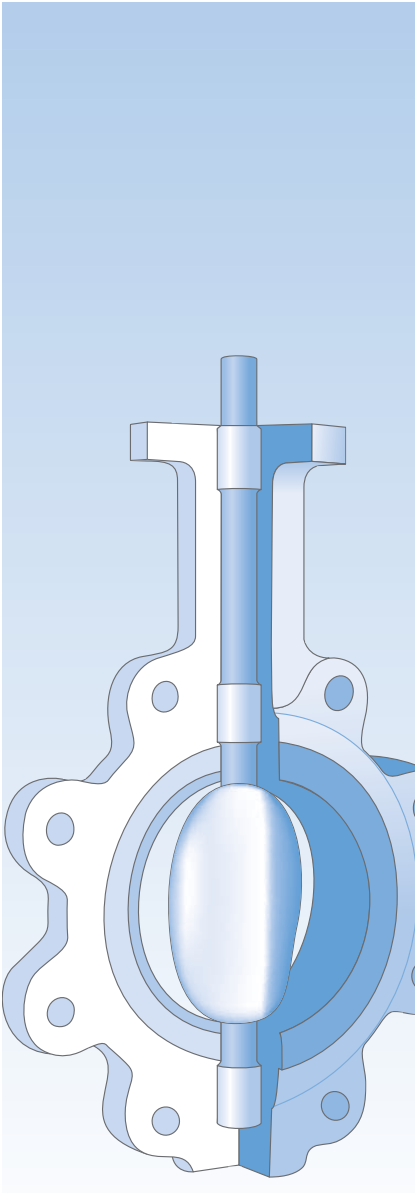




**B u t t e r f l y
V a l v e s**



IFC Series BII25W/L Resilient Seated Butterfly Valves

Design Features	2
Valve Construction Data	3
Valve Sizing Data	4
CV Values (US-GPM @ 1 PSID)	4
Method of Calculating Flow	4
Valve Seating Torque (In.-Lbs.)	4
Valve Dimensions - Sizes 2" - 24"	5
Valve Dimensions - Sizes 30" - 48"	6
Manual Actuator Dimensions	6
Required Bolt Lengths	7
Valve Weights	7
Material Selection Guide	8
Installation and Maintenance Instructions	9
How to Order	10

IFC Series BHI50W/L High Performance Butterfly Valves

Design Features	11
Principles of Operation	12
Valve Construction Data	13
Standards of Construction	13
Pressure-Temperature Ratings	13
Valve Sizing Data	14
CV Values (US-GPM @ 1 PSID)	14
Method of Calculating Flow	14
Valve Breakaway Torque (In.-Lbs.)	14
Valve Dimensions - Sizes 2 1/2" - 12"	15
Manual Actuator Dimensions	15
Required Bolt Lengths	16
Valve Weights	16
Installation and Maintenance Instructions	17
How to Order	18

IFC Series BDC/BDI High Performance Damper Butterfly Valves

Valve Construction Data	19
Valve Dimensions - Sizes 3" - 60"	20
Valve Operating Data	21
How to Order	22

Notes: The material in this catalogue is for general information. For specific performance data and proper material selection, consult factory or your IFC representative. Although every attempt has been made to ensure that the information contained in this catalogue is correct IFC Inc. reserves the right to change designs, materials and/or specifications without notice.

Limited Warranty

All products are warranted to be free of defects in material and workmanship for a period of one year from the date of shipment, subject to the limitations below: If the purchaser believes a product defective, the purchaser shall: **(a)** Notify the manufacturer, state the alleged defect and request permission to return the product. **(b)** If permission is given, return the product with transportation prepaid. If the product is accepted for return and found to be defective, the manufacturer will, at its discretion, either repair or

replace the product, f.o.b. factory, within 60 days of receipt, or refund the purchase price.

Other than to repair, replace or refund described above, the purchaser agrees that the manufacturer shall not be liable for any losses, costs, expenses or damages of any kind arising out of the product, its use, installation or replacement, labeling, instructions, information or technical data of any kind, description of product use, sample or model, warnings or lack of foregoing. No other warranties,

written or oral, expressed or implied, including the warranties of fitness for a particular purpose and merchantability, are made or authorized.

No affirmation of fact, promise, description of product use or sample or model shall create any warranty from the manufacturer, unless signed by the president. These products are not manufactured, sold or intended for personal, family or household purposes.

A ISO 5211 (Part I & II) Mounting Pad
Designed for universal adaptation of pneumatic or electric actuators, gear operators and handles.

B O-Ring
Secondary shaft seal.

C Name Plate
Permanently attached to body providing disc, seat and shaft material identification.

D Bushings
Four (4) bushings are used to provide maximum shaft support and centralized alignment of the one-piece shaft.

E Body
Available in full lug and wafer style.

F One-piece thru-shaft
The blow-out proof shaft design delivers positive disc-to-seat location while offering maximum strength.



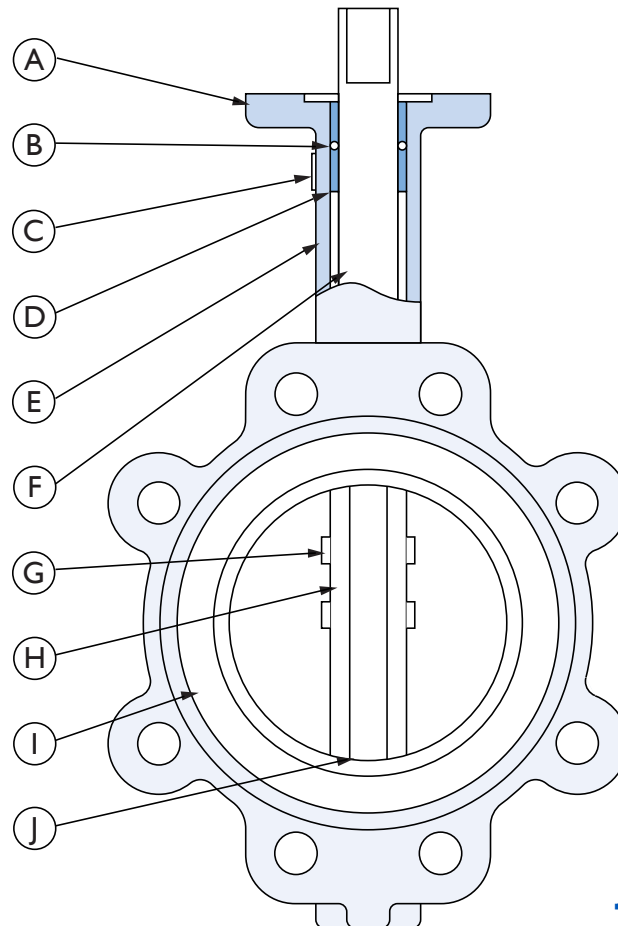
Our stainless steel disc valves comply with NSF/ANSI/CAN 61, NSF/ANSI 372 and all applicable requirements.

G Pinned Disc
The disc is attached to the shaft by pins that provide a solid mechanical connection.

H Disc
Disc edge is machined and polished 360° to assure leak-proof positive shut-off while minimizing operating torque.

I Phenolic Backed Seat
Provides additional support making the seat non-collapsible. 360° sealing protects components from media and provides the primary shaft seal. Flange gaskets are not required.

J Shaft Seal
The bi-directional shaft seal prevents external contamination of the stem area while providing a back-up for the primary shaft seal formed by the disc/seat interface.

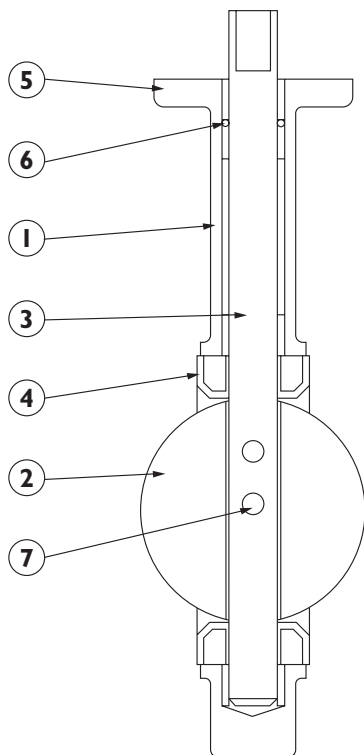


The IFC series BII25W/L butterfly valve is available in sizes 2" thru 48", wafer or lug body design. These valves were designed to meet the stringent requirements for HVAC, Oil & Gas and Industrial applications, or wherever positive shut-off is required for liquids, gases and slurries.

Incorporating a 200 psig pressure rating for sizes 2" thru 12" and 150 psig pressure rating for sizes 14" thru 48" the IFC series BII25W/L valves are constructed with a cast iron

or ductile iron body and stainless steel shafts. The discs and seats are available in a wide range of materials to meet your specific application needs.

These valves are designed and manufactured for use with ANSI 125 or 150 class flanges and generally designed in accordance with API 609 (Except for the 16" to 20" face-to-face dimensions) and MSS-SP-67.



Material Specifications

Part No.	Part Name	Description	Material	Specifications
1	Body	Cast Iron Ductile Iron		ASTM A126-B ASTM A536 65-45-12
2	Disc	Ductile Iron Electrolytic Nickel Plated Aluminum Bronze Type 316 Stainless Steel		ASTM A536 65-45-12 ASTM B148 C954 ASTM A351-CF8M
3	Shaft	Type 416 Stainless Steel Type 316 Stainless Steel ²		ASTM A582 ASTM A276
4	Seat	Buna-N (-10°F to 180°F) EPDM (-10°F to 225°F) Viton 26B (-10°F to 275°F) Teflon lined EPDM (-10°F to 225°F)		
5	Bushings x 4	Teflon Impregnated Fiberglass Backed		
6	Seal	Buna-N O-Ring		
7	Pin	Type 316 Stainless Steel ^{4,5}		
	Key	Carbon Steel (Sizes 12" - 48")		
	Screws	18-8 Stainless Steel ¹ (Optional)		

- Notes:**
1. Dead end service screws are standard on lug body valves only.
 2. Valves with 316SS (Stainless Steel) discs are only available with 316SS shafts.
 3. Do not use EPDM when hydrocarbons are present.
 4. Valve sizes 6" and larger are equipped with two (2) pins.
 5. Valve sizes 4" and smaller are equipped with one (1) pin.

Standards of Construction

Component	Standard
General Design	API 609
Mounting Pad	ISO 5211
Laying Length	API 609, MSS SP-67, ISO 5752
Inspection and Testing	API 598

Upper Pressure Limits (Non-Shock)

Valve Size	M.A.W.P.
2" - 12" (50-300 mm)	200 psig (13.79 bars)
14" - 48" (350-1200 mm)	150 psig (10.34 bars)

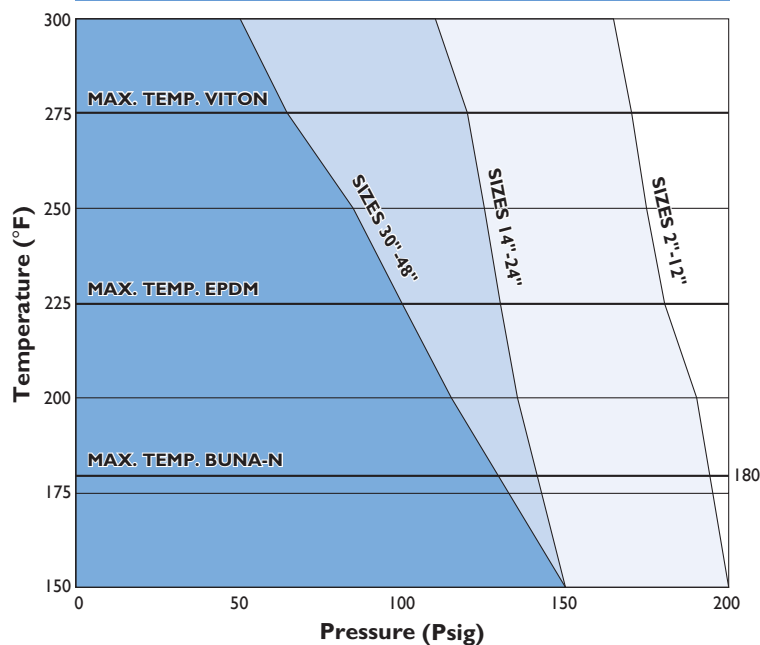
Note: Valves rated for full vacuum service.

Velocity Limits

Fluids	30 ft/s (10 m/s)
Gases	200 ft/s (65 m/s)

Note: For greater velocities consult factory.

IFC BII25W/L Pressure Temperature Chart



Cv Values (US-GPM @ 1 Psid)

Size in.	DISC POSITION (Degrees)								
	10 _i	20 _i	30 _i	40 _i	50 _i	60 _i	70 _i	80 _i	90 _i
2"	0.1	5	12	24	45	64	90	125	135
2 1/2"	0.2	8	20	37	65	89	144	204	220
3"	0.3	12	22	39	70	116	183	275	302
4"	0.5	17	36	78	139	230	364	546	600
5"	0.8	29	61	133	237	392	620	930	1022
6"	2	45	95	205	366	605	958	1437	1579
8"	3	89	188	408	727	1202	1903	2854	3136
10"	4	151	320	694	1237	2047	3240	4859	5340
12"	5	234	495	1072	1911	3162	5005	7507	8250
14"	6	338	715	1549	2761	4568	7230	10844	11917
16"	8	464	983	2130	3797	6282	9942	14913	16388
18"	11	615	1302	2822	5028	8320	13168	19752	21705
20"	14	791	1674	3628	6465	10698	16931	25396	27908
24"	22	1222	2587	5605	9989	16528	26157	39236	43116
30"	40	2036	4089	7461	11777	17578	26634	40975	58121
36"	60	3021	6063	11055	17449	26086	39731	60895	86375
42"	101	4738	9514	17361	27405	40903	61974	95344	135240
48"	134	6188	12426	22675	35794	53424	80945	124531	176640

Method Of Calculating Flow

Liquid Flow

$$Q_L = C_v \sqrt{\frac{\Delta P}{g}}$$

Q_L = flow rate of liquid (gal./min.)
 ΔP = differential pressure across the valve (psi)
 g = specific gravity of liquid: water = 1.000

Gas Flow

For non-critical flow ($\frac{\Delta P}{P_2} < 1.0$)

$$Q_g = 61 C_v \sqrt{\frac{P_2 \Delta P}{g}}$$

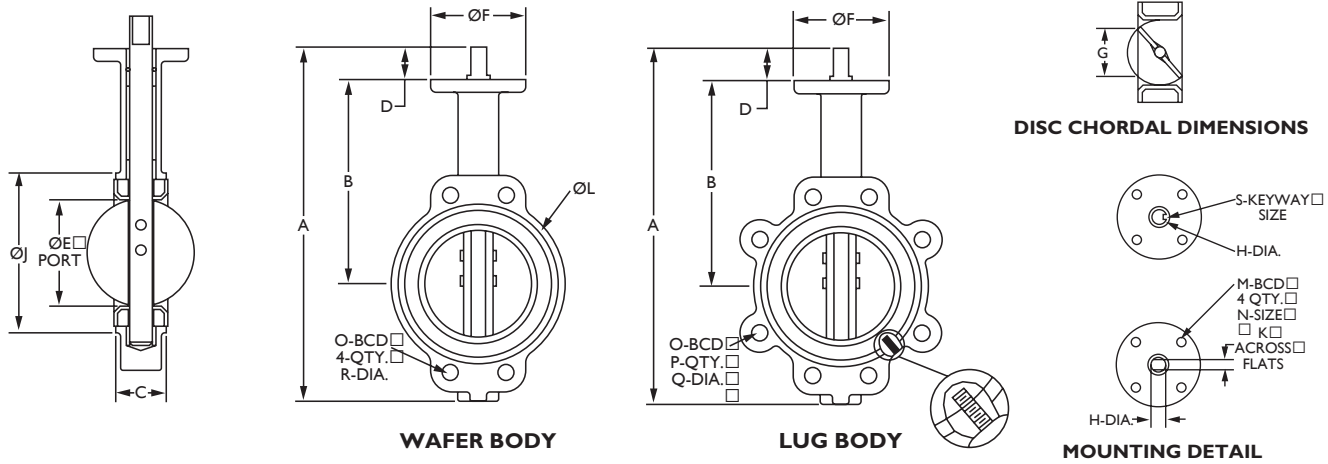
Q_g = flow rate of gas (CFH at STP)
 P_2 = outlet pressure (psia)
 g = specific gravity of gas: air = 1.000

Valve Seating Torque (In. - Lbs.)

Size in.	50 PSI ⁴		75 PSI ⁴		100 PSI ⁴		150 PSI		200 PSI	
	L	NL	L	NL	L	NL	L	NL	L	NL
2"	106	169	110	176	114	183	—	—	132	211
2 1/2"	153	245	159	255	165	265	—	—	191	306
3"	234	374	243	389	253	404	—	—	292	467
4"	346	554	361	577	375	600	—	—	433	693
5"	558	892	581	929	604	966	—	—	697	1115
6"	726	1234	756	1284	785	1335	—	—	907	1542
8"	1273	2164	1344	2285	1414	2403	—	—	1697	2885
10"	2143	3643	2263	3847	2380	4046	—	—	2857	4857
12"	3254	5206	3436	5497	3614	5782	—	—	4338	6941
14"	4383	6575	4810	7214	5236	7854	6088	9132	—	—
16"	5348	8022	6100	9150	6852	10278	8356	12534	—	—
18"	7167	10750	8175	12262	9182	13774	11198	16797	—	—
20"	9560	14340	10905	16357	12249	18374	14938	22407	—	—
24"	14944	22416	17046	25568	19147	28721	23350	35025	—	—
30"	28320	42480	28066	43498	30864	46296	33336	50004	—	—
36"	40624	60936	37982	59722	43480	65220	46528	69792	—	—
42"	69744	104616	66151	103467	74632	111948	79864	119796	—	—
48"	96648	145572	90157	142077	103840	155760	111112	166668	—	—

Notes: 1. "L" = Lubricated, "NL" = Non Lubricated.

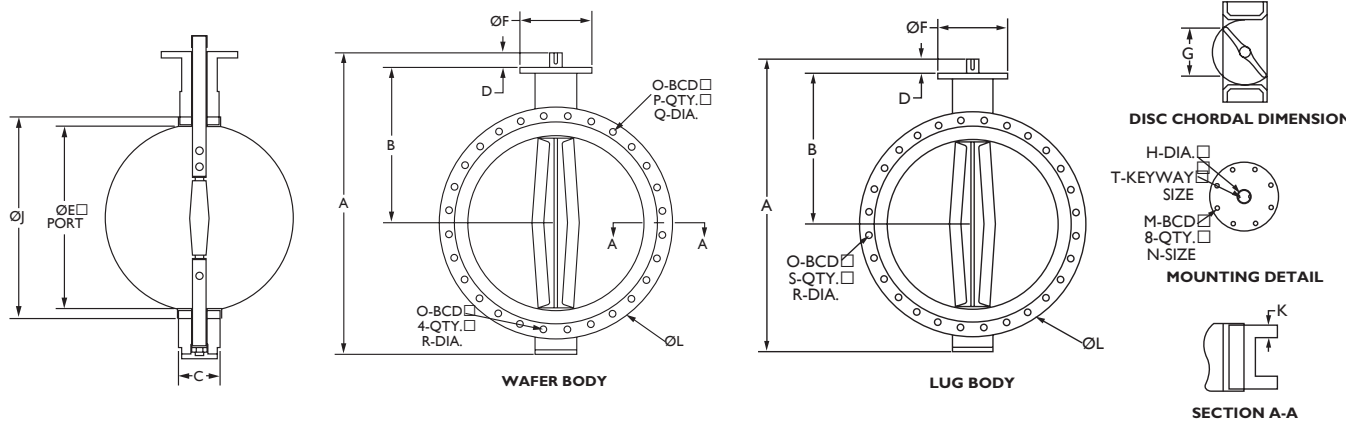
2. Selection of actuator torque output must meet or exceed the maximum torque required by the valve.
3. Under certain conditions, hydrodynamic torque can exceed seating and unseating torques and must be considered in the selection of actuators.
4. Valve seating torques listed under 50, 75 and 100 PSI columns refer to valves with undercut discs.
Please consult factory for availability.



Valve Dimensions

Size	A	B	C	D	E	F	G	H	J	K	L	M	N	O	P	Q	R	S
in.	in.	in.	in.	in.	in.	in.	in.	in.	in.	in.	in.	in.	in.	in.		in.	in.	
(mm)	(mm)	(mm)	(mm)	(mm)	(mm)	(mm)	(mm)	(mm)	(mm)	(mm)	(mm)	(mm)	(mm)	(mm)		(mm)	(mm)	
2"	10.75	6.34	1.66	1.25	2.09	3.00	1.25	0.50	3.94	0.349	4.00	1.97	0.276	4.75	4	5/8"-11UNC	0.687	-
50	273	161	42	32	53	76	32	13	100	9	102	50	7	121			17	
2 1/2"	11.65	6.89	1.75	1.25	2.54	3.00	1.84	0.50	4.75	0.349	4.75	1.97	0.276	5.50	4	5/8"-11UNC	0.687	-
65	296	175	44	32	65	76	47	13	121	9	121	50	7	140			17	
3"	12.12	7.13	1.78	1.25	3.13	3.00	2.50	0.50	5.00	0.349	5.13	1.97	0.276	6.00	4	5/8"-11UNC	0.687	-
75	308	181	45	32	80	76	64	13	127	9	130	50	7	152			17	
4"	13.62	7.87	2.06	1.25	4.13	3.63	3.50	0.63	6.13	0.437	6.75	2.76	0.394	7.50	8	5/8"-11UNC	0.687	-
100	346	200	52	32	105	92	89	16	156	11	171	70	10	191			17	
5"	14.65	8.39	2.14	1.25	4.86	3.63	4.38	0.75	7.50	0.500	7.75	2.76	0.394	8.50	8	3/4"-10UNC	0.812	-
125	372	213	54	32	123	92	111	19	191	13	197	70	10	216			21	
6"	15.63	8.90	2.19	1.25	6.13	3.63	5.75	0.75	8.38	0.500	8.63	2.76	0.394	9.50	8	3/4"-10UNC	0.812	-
150	397	226	56	32	156	92	146	19	213	13	219	70	10	241			21	
8"	18.90	10.25	2.39	1.75	8.00	4.50	7.63	0.88	10.57	0.625	10.56	4.01	0.472	11.75	8	3/4"-10UNC	0.812	-
200	480	260	61	44	203	114	194	22	268	16	268	102	12	298			21	
10"	21.25	11.50	2.58	1.75	9.87	4.50	9.50	1.13	12.81	0.812	10.06	4.01	0.472	14.25	12	7/8"-9UNC	0.937	-
250	540	292	66	44	251	114	241	29	325	21	256	102	12	362			24	
12"	24.57	13.27	3.03	1.75	11.87	5.50	11.50	1.25	15.88	-	16.00	4.01	0.472	17.00	12	7/8"-9UNC	0.937	0.25 X 1.00
300	624	337	77	44	301	140	292	32	403		406	102	12	432			24	
14"	26.75	14.50	3.00	1.75	13.13	5.50	12.81	1.25	17.19	-	17.13	4.01	0.472	18.75	12	1"-8UNC	1.062	0.25 X 1.00
350	679	368	76	44	334	140	325	32	437		435	102	12	476			27	
16"	29.94	15.75	3.41	2.00	15.38	7.75	15.00	1.30	19.21	-	20.00	5.51	0.709	21.25	16	1"-8UNC	1.062	0.31 X 1.57
400	760	400	87	51	391	197	381	33	488		508	140	18	540			27	
18"	31.56	16.61	4.16	2.00	17.38	7.75	16.87	1.50	21.22	-	21.38	5.51	0.709	22.75	16	1 1/8"-8UN	1.250	0.37 X 1.81
450	802	422	106	51	441	197	428	38	539		543	140	18	578			32	
20"	35.65	18.90	5.19	2.53	19.38	7.75	18.69	1.63	23.38	-	23.31	5.51	0.709	25.00	20	1 1/8"-8UN	1.250	0.37 X 1.81
500	906	480	132	64	492	197	475	41	594		592	140	18	635			32	
24"	42.97	22.13	6.00	2.75	23.31	10.88	22.58	2.00	32.13	-	27.88	6.49	0.906	29.50	20	1 1/4"-8UN	1.375	0.5 X 2.36
600	1091	562	152	70	592	276	574	51	816		708	165	23	749			35	

- Notes:**
- Quantity P and dimension Q refer to lug style. Dimension R refers to wafer style.
 - Dimension C is the installed dimension. Approximately 1/8" wider when relaxed.
 - Valves designed for installation between ASME B16.1 Class 125 and ASME B16.5 Class 150 flanges.
 - Gaskets are not required and should not be used.

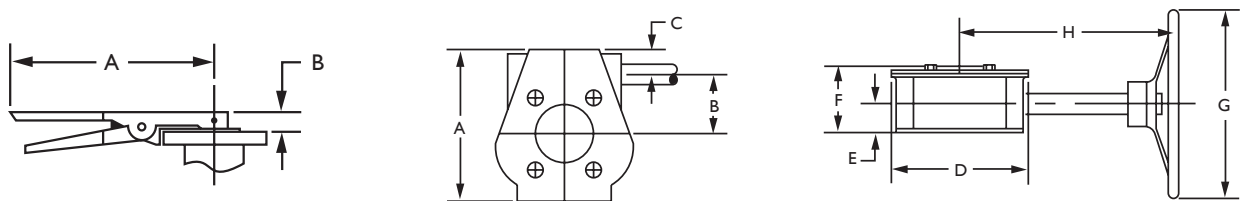


Valve Dimensions

Size	A	B	C	D	E	F	G	H	J	K	L	M	N	O	P	Q	R	S	T
in	in	in	in	in	in	in	in	in	in	in	in	in	in	in	in	in	in	in	in
(mm)	(mm)	(mm)	(mm)	(mm)	(mm)	(mm)	(mm)	(mm)	(mm)	(mm)	(mm)	(mm)	(mm)	(mm)	(mm)	(mm)	(mm)	(mm)	(mm)
30"	50.56	26.00	6.56	2.63	28.56	11.81	27.75	2.50	31.28	2.13	38.75	10.00	0.708	36.00	24	1.38	1 1/4"-8UN-2B	28	0.71 X 2.48
750	1284	660	167	67	725	300	705	63	795	54	984	254	18	914	35				
36"	58.53	28.38	8.00	4.63	33.13	11.81	32.00	2.94	37.28	2.38	46.00	10.00	0.708	42.75	28	1.63	1 1/2"-8UN-2B	32	0.79 X 3.94
900	1487	721	203	118	842	300	813	75	974	60	1168	254	18	1086	41				
42"	70.25	33.75	9.88	5.91	39.31	11.81	38.00	3.75	44.25	2.63	53.00	10.00	0.708	49.50	32	1.63	1 1/2"-8UN-2B	36	0.98 X 5.51
1050	1785	857	251	150	998	300	965	95	1124	67	1346	254	18	1257	41				
48"	76.91	37.00	10.88	5.91	44.38	13.75	42.91	4.13	49.75	2.75	59.50	11.75	0.866	56.00	40	1.63	1 1/2"-8UN-2B	44	1.10 X 5.51
1200	1954	940	276	150	1127	349	1090	105	1264	70	1511	298	22	1422	41				

- Notes:**
- Quantity S and dimension R refer to lug style. Quantity P and dimension Q refer to wafer style.
 - Dimension C is the installed dimension. Approximately 3/8" wider when relaxed.
 - Valves designed for installation between ASME B16.1 class 125 and ASME B16.47 series A class 150 flanges.
 - Gasket are not required and should not be used.

Manual Actuator Dimensions



Lever

Valve Size	A	B	Weight
in	in	in	Lb.
(mm)	(mm)	(mm)	(Kg)
2" - 6"	10.0	1.0	3.0
50 - 150	252	24	1.4
8" - 12"	14.1	1.4	4.0
100 - 300	359	36	1.8

Notes:

It is recommended that handles be used thru 8" valve size for liquid or rated pressure service. 10" - 12" valves with handles should only be used on gas and low pressure applications.

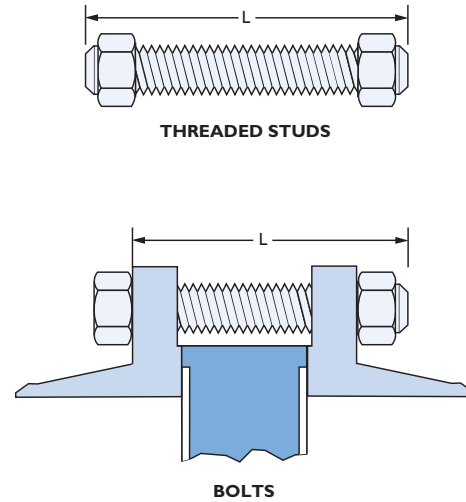
Gear

Valve Size	Ratio	A	B	C	D	E	F	G	H	Weight
in		in	in	in	in	in	in	in	in	Lb.
(mm)		(mm)	(mm)	(mm)	(mm)	(mm)	(mm)	(mm)	(mm)	(Kg)
2" - 6"	24:1	5.0	1.7	1.1	4.1	1.6	2.6	6.0	7.6	10
50-150		127	45	28	105	41	66	152	193	4.5
8" - 10"	30:1	7.0	2.6	1.3	6.0	1.8	3.3	12.0	12.5	28
200-250		178	66	34	152	46	84	305	318	12.7
12" - 14"	50:1	7.8	3.0	1.5	6.6	2.0	3.5	12.0	12.5	33
300-350		198	76	38	170	51	89	305	318	15.0
16"	80:1	11.5	4.4	1.6	10.3	2.5	4.6	12.0	16.2	71
400		292	112	41	262	64	117	305	411	32.2
18" - 24"	290:1	12.3	4.7	2.8	10.8	2.9	6.3	12.0	13.4	118
450 - 600		313	120	73	274	75	162	305	342	53.5

Wafer Valve - Recommended Flange Bolt Lengths

Valve Size	Qty.	Bolt Size	Length Of Fasteners (L) Threaded Studs Bolts	
2"	4	5/8"-UNC	4 ³ / ₄ "	4"
2 ¹ / ₂ "	4	5/8"-UNC	5 ¹ / ₄ "	4 ¹ / ₄ "
3"	4	5/8"-UNC	5 ¹ / ₄ "	4 ¹ / ₂ "
4"	8	5/8"-UNC	5 ¹ / ₂ "	4 ³ / ₄ "
5"	8	3/4"-UNC	6"	5"
6"	8	3/4"-UNC	6"	5 ¹ / ₄ "
8"	8	3/4"-UNC	6 ¹ / ₂ "	5 ³ / ₄ "
10"	12	7/8"-UNC	7"	6"
12"	12	7/8"-UNC	7 ³ / ₄ "	6 ³ / ₄ "
14"	12	1"-UNC	8 ¹ / ₄ "	7"
16"	16	1"-UNC	8 ³ / ₄ "	7 ¹ / ₂ "
18"	16	1 ¹ / ₈ "-8UN	10"	8 ³ / ₄ "
20"	20	1 ¹ / ₈ "-8UN	11"	10"
24"	20	1 ¹ / ₄ "-8UN	12 ³ / ₄ "	11 ¹ / ₄ "

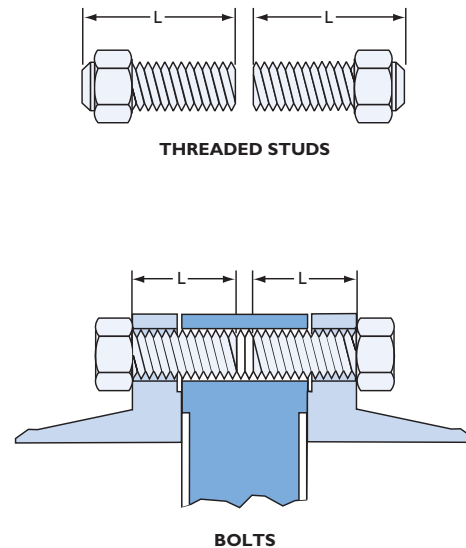
Note: Lengths are based on ANSI class 150 weld neck flanges per ASME B16.5.



Lug Valve - Recommended Flange Bolt Lengths

Valve Size	Qty.	Bolt Size	Length Of Fasteners (L) Threaded Studs Bolts	
2"	4	5/8"-UNC	2 ¹ / ₄ "	1 ¹ / ₄ "
2 ¹ / ₂ "	4	5/8"-UNC	2 ¹ / ₄ "	1 ¹ / ₂ "
3"	4	5/8"-UNC	2 ¹ / ₂ "	1 ¹ / ₂ "
4"	8	5/8"-UNC	2 ¹ / ₂ "	1 ³ / ₄ "
5"	8	3/4"-UNC	2 ³ / ₄ "	1 ³ / ₄ "
6"	8	3/4"-UNC	2 ³ / ₄ "	1 ³ / ₄ "
8"	8	3/4"-UNC	3"	2"
10"	12	7/8"-UNC	3 ¹ / ₄ "	2 ¹ / ₄ "
12"	12	7/8"-UNC	3 ¹ / ₂ "	2 ¹ / ₂ "
14"	12	1"-UNC	3 ³ / ₄ "	2 ³ / ₄ "
16"	16	1"-UNC	4"	3"
18"	16	1 ¹ / ₈ "-8UN	4 ³ / ₄ "	3 ¹ / ₂ "
20"	20	1 ¹ / ₈ "-8UN	5 ¹ / ₄ "	4"
24"	20	1 ¹ / ₄ "-8UN	6"	4 ³ / ₄ "

Note: Lengths are based on ANSI class 150 weld neck flanges per ASME B16.5.



IFC Series I25WB/LB Valve Weights

Valve Size	2	2 ¹ / ₂	3	4	5	6	8	10	12	14	16	18	20	24
Wafer (Lb.)	6	7	10	13	18	20	32	42	70	95	117	165	275	440
Wafer (Kg.)	2.7	3.2	4.5	5.9	8.2	9.1	14.5	19.0	31.7	43.1	53.1	74.8	125	200
Lug (Lb.)	7	8	14	26	28	31	49	72	105	155	195	230	396	610
Lug (kg.)	3.2	3.6	6.3	11.8	12.7	14.1	22.2	32.7	47.6	70.3	88.4	104	180	277

Note: Valve weights refer to valve only.

A - Recommended, B - May Be Acceptable (Testing Recommended), N - Not Recommended																	
CORROSIVE MEDIA	PS	DISC MATERIALS				SEAT MATERIALS			CORROSIVE MEDIA	PS	DISC MATERIALS				SEAT MATERIALS		
		COND.	DI	AB	316	COND.	EPDM	BUNA-N			COND.	DI	AB	316	COND.	EPDM	BUNA-N
Acetaldehyde	L	<75 F	N	A	A		A	N	Lactic Acid	L		N	N	A		A	N
Acetone	L	<75 F	A	A	A	<130 F	B	N	Lime	S		N	A	A		A	B
Acetylene	G	<75 F	A	N	A	<160 F	A		Liquefied Petroleum Gas	G			A	A		N	A
Air	G		A	A	A		A	A	Malic Acid	S		N	B	A		N	A
Amines	L		B	B	A		B	N	Mercury	L		N	N	A		A	A
Amino Acids	L	<150 F	N	N	A		N	N	Methane	G			A	A		N	A
Ammonia, Anhydrous	G		B	N	A		A	B	Methyl Alcohol	L	<75 F	B	A	A		A	B
Ammonia Gas	G				A	<80 F	A	A	Methyl Bromide	G		B	A	A		N	B
Ammonia, Liquid	L			N	A		A	B	Methyl Chloride	G		N	A	A		N	N
Animal Fats	L		A	B	A		B	A	Naphtha	L		A	A	A		N	N
Arsenic Acid	S		N	N	A		A	A	Natural Gas	G			A	A		N	A
Beer-Breweries	L		N	N	A		A	A	Nitrogen - Gas	G		A	A	A		A	A
Beet Sugar Liquors	L		N	A	A		A	A	Nitrous Acid	L	<10%	N	N	B	<10%	N	N
Benzene	L		A	A	A		N	N	Octane	L		A	A	A		N	N
Benzol	L		A	A	A		N	N	Oil - Animal	L		A	B	A		N	A
Brine	L		N	B	A		A	A	Oil - Crude (sweet)	L		A	A	A		N	A
Bromine - Anhydrous	S		N	N	N		N	N	Oil - Crude (sour)	L		B	A	A		N	B
Bromine - Wet	L		N	N	N		N	N	Oil - Motor	L		A	A	A		N	A
Butane	G		B	A	A	<75 F	N	A	Oil - Peanut	L			B	A		N	A
Butter	L		N	N	A		B	A	Oil - Vegetable	L		N	B	A		B	A
Butylene (Gas)	G		A	A	A		N	N	Oxygen - Gas	G		A	A	A		A	B
Calcium Carbonate	S		N	N	A		A	A	Paint - Thinner/Remover	L			A	A		N	N
Calcium Chlorate	S		N	N	A		A	A	Pickling Solutions	L		N	N	N		N	N
Carbonated Water	L		N	N	A		A	A	Plating Solutions	L			N	N		A	N
Carbon Monoxide	G	<100 F	A	A	A	<100 F	A	A	Polyester Resins	L				A		N	N
Carbonic Acid	L		N	N	A		A	A	Potassium Bicarbonate	S			A	A		A	A
Cement	S		A	A	A		A	A	Potassium Chlorate	S	<100 F	B		A		A	B
Chlorine (Wet or Dry)	L		N	N	N		N	N	Potassium Nitrate	S	<75 F			A		A	A
Chlorox	L				A		A	B	Potassium Sulfide	S		N	N	A		B	N
Citric Acid	S	<100 F	N	B	A		A	A	Potassium Sulfite	S		N		B		A	A
Citrus Juices	L		N	B	A		A	A	Propylene	G				A		N	N
Coke Oven Gas	G		B	N	A		N	B	Pulp Stock	L	<4%	N	N	A	<4%	A	B
Diacetone Alcohol	L	<100 F	A	A	A		A	N	Resins	L		A	A	A		N	N
Dibutyl Amine	L				A		N	N	Sewage	L	<150 F	A	A	A		B	A
Dibutyl Ether	L				A		N	N	Silver Cyanide	S	<75 F	N	N	A	<120 F	A	N
Diesel Fuel	L		A	A	A		N	A	Sodium Bromide	S		N	N	N		N	N
Diethylamine	L			N	A		N	B	Sodium Carbonate	S		N	N	A		A	A
Dioxane	L		B	B	A		N	N	Sodium Chlorate	S		N	N	A		A	B
Dyes	L		A	A	A		N	N	Sodium Chloride	S		N	N	N	<130 F	A	A
Enamel	L		A	A	A		N		Sodium Nitrite	S		N	B	A		A	A
Ethane	G		A	A	A		N	A	Sodium Sulfate	S		N	A	A		A	A
Ethyl Alcohol	L		N	A	A	<180 F	A	A	Sodium Sulfite	S		N	N	A		A	A
Ethyl Benzene	L		A	A	A		N	N	Steam and Hot Water	L	<250 F	N	A	A	<250 F	A	N
Ethylene	G		A	A	A		N	A	Styrene	L		A	A	A		N	N
Ethylene Oxide	G	<10 F	B	N	A		N	N	Sugar Solutions	L		N	A	A		A	A
Fatty Acids	L		N	N	A	<180 F	N	A	Sulfur	S		N	N	A		A	N
Ferrous Chloride	S		N	N	N		A	A	Sulfuric Acid	L	<80%	N	N	B	<80%	N	N
Flue Gas	G		N	N	B		N	A	Sulfurous Acid	L		N	N	B		N	N
Gas-Natural	G		B	A	A		N	A	Transmission Fluid	L		A	A	A		N	A
Gasoline - Ethyl	L		B	A	A		N	N	Tributyl Phosphate	L				A		A	N
Gasoline - Regular	L		B	A	A	<85 F	N	A	Turpentine	L		N	A	A	<75 F	N	A
Glucose	L		A	A	A		A	A	Varnish	L		B	A	A		N	N
Glycerine	L	<100 F	B	A	A		A	A	Vinegar	L		N	N	A		A	B
Helium Gas	G				A		A	A	"Water, Carbonated"	L		N	N	A		A	A
Hydraulic Fluid (Pydraul)	L				A		N	N	"Water, Chilled"	L		N	A	A		A	A
Hydrocarbons (Aromatic)	L		A	N	A		N	N	"Water, Distilled"	L		N	N	A		A	A
Hydrogen Peroxide	L	<75 F	N	N	A		A	N	"Water, Salt, Sea"	L		N	A	A		A	A
Hydrogen Sulfide	G	<75 F	N	N	A		A	N	White Liquor	L		N	N	A		B	B
Iodine	L		N	N	N		N	N	Zinc Acetate	S		N	N	A		A	B
Jet Fuels (JP-1 to JP-6)	L		N	A	A	<80 F	N	A	Zinc Nitrate	S						A	
Kerosene	L	<75 F	A	A	A		N	A	Zinc sulfate	S		N	N	A		A	A

Notes: 1. PS stands for PHYSICAL STATE at room temperature;
S=Solid, L=Liquid, G=Gas
2. If uncertain please consult factory concerning valve compatibility.

No representation, warranty or guarantee of compatibility, expressed or implied, is made by this Selection Guide due to the complexity and almost infinite variations of mixtures, concentrations, temperatures and flow conditions possible in actual service. As a result, the end user must assume all responsibility for ultimate determination of value compatibility.

1.0 Piping and Flange Considerations

The IFC Series B1125W/L butterfly valves are to be installed between pipeline flanges that conform to ASME B16.1 Class 125 or ASME B16.5 Class 150. The use of slip-on or weld neck flanges has no effect on the pressure temperature rating of the valves.

2.0 Installation

Prior to installation, inspect valve and mating flanges to assure gasket surfaces are free of defects. Remove all foreign material such as weld spatter, oil, grease and dirt from the valve, flanges and pipeline. Do not mount valves between flanges having defective gasket surfaces.

- A. Check the distance between pipe flanges to ensure clearance for valve. Check piping for proper alignment.
- B. Place valve so that the disc has been positioned to a partially open position, with the disc edge about $\frac{1}{4}$ " to $\frac{3}{8}$ " from the face of the seat (approximately 10° open). In general, IFC recommends that the valve be installed with the stem in the vertical position and the actuator mounted directly above the valve.
- C. Check valve for proper alignment
 - On wafer valves, visually center the valve with respect to the flange faces.
 - Center lugged valves with the flange bolting. Never use lugged butterfly valves to align improperly positioned piping.
- D. Operate the valve to assure that no binding or interference exists.
- E. Tighten flange bolting evenly in a crisscross pattern. The flange joint is complete when there are no gaps between the valve body and the flange faces. Bolting should then be tightened sufficiently to prevent loosening.

The following additional procedures should be observed when installing butterfly valves between welding flanges.

- A. Assemble inlet and outlet flanges to the valve body and tighten.
- B. Align the flange/body/flange assembly to the pipe in which the valve is being installed.
- C. Tack weld flanges to the pipe.
- D. After tack welding, remove the bolts and valve from the pipe flanges and complete the welding of the valve installation flanges.

Important: To prevent seat damage, allow the flanges to cool before final installation of the butterfly valve.

3.0 Valve Removal

Warning: Pipeline pressure can cause personal injury or equipment damage. Relieve pipeline pressure before loosening flange bolts and disable/lock valve actuator before valve removal.

- A. Discontinue pipeline flow, relieve pressure where the valve is located in the pipeline and close the valve.
- B. If the actuator is powered, disconnect and lock out the power to prevent accidental operation of the actuator.
- C. Support the valve and remove the mounting bolts or studs.
- D. Carefully lift the valve from the pipeline.

4.0 Maintenance

The many IFC features minimize wear and maintenance requirements. IFC Series B1125W/L valves require no periodic maintenance or lubrication. IFC does recommend the following actions on a monthly basis:

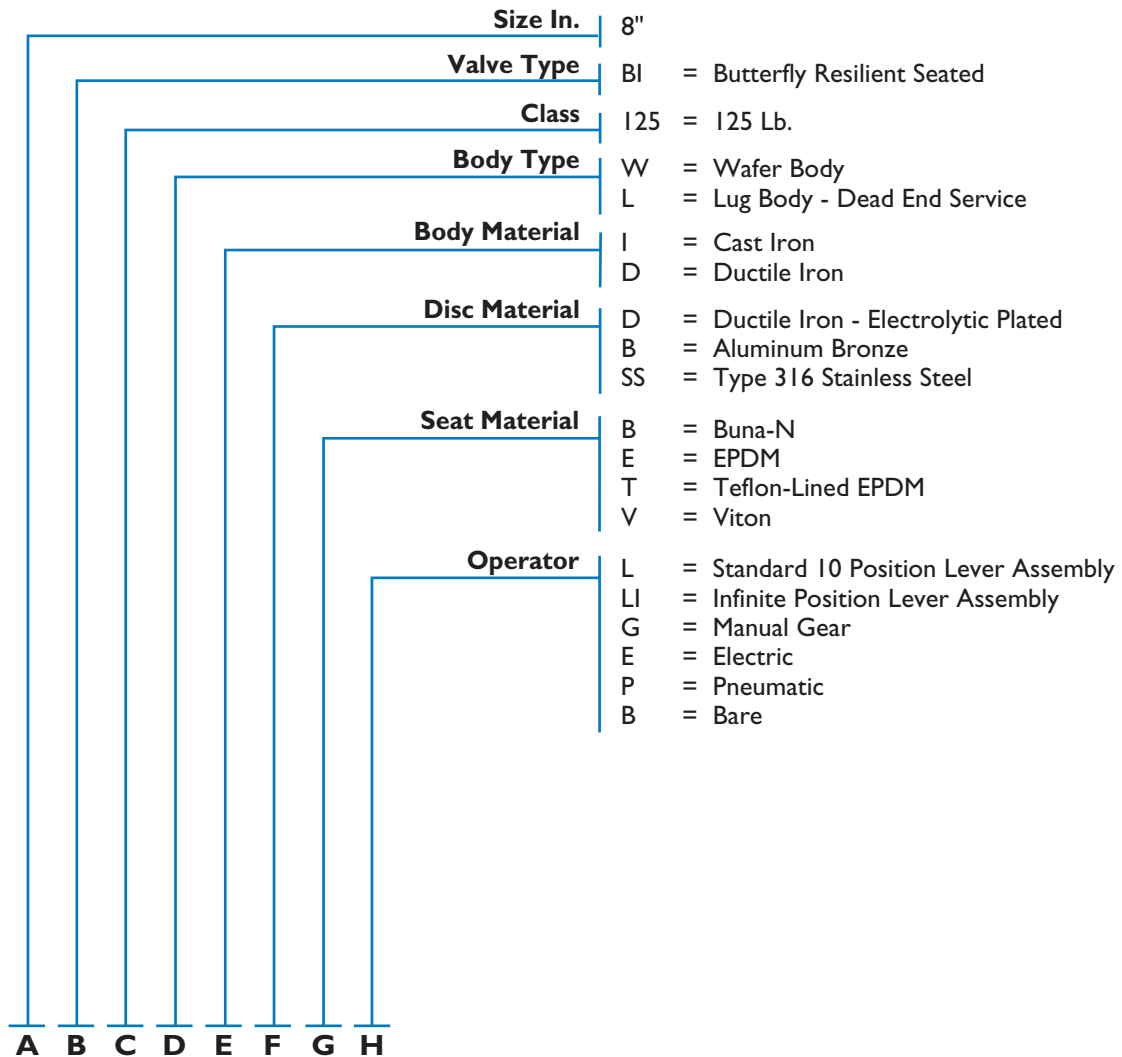
- A. Operate the valve from full open to full close to assure operability.
- B. Check bolting for evidence of loosening and correct as required.
- C. Inspect flange faces and valve stem for signs of leakage. Tighten packing gland if necessary.
- D. Check piping and related accessories (i.e. actuator) for looseness, corrosion or defects. Correct as required.

5.0 Warranty

All products are warranted to be free of defects in material and workmanship for a period of one year from the date of shipment, subject to the limitations below: If the purchaser believes a product defective, the purchaser shall: (a) Notify the manufacturer, state the alleged defect and request permission to return the product. (b) If permission is given, return the product with transportation prepaid. If the product is accepted for return and found to be defective, the manufacturer will, at its discretion, either repair or replace the product, f.o.b. factory, within 60 days of receipt, or refund the purchase price.

Other than to repair, replace or refund described above, the purchaser agrees that the manufacturer shall not be liable for any losses, costs, expenses or damages of any kind arising out of the product, its use, installation or replacement, labeling, instructions, information or technical data of any kind, description of product use, sample or model, warnings or lack of foregoing. No other warranties, written or oral, expressed or implied, including the warranties of fitness for a particular purpose and merchantability, are made or authorized.

No affirmation of fact, promise, description of product use or sample or model shall create any warranty from the manufacturer, unless signed by the president. These products are not manufactured, sold or intended for personal, family or household purposes.

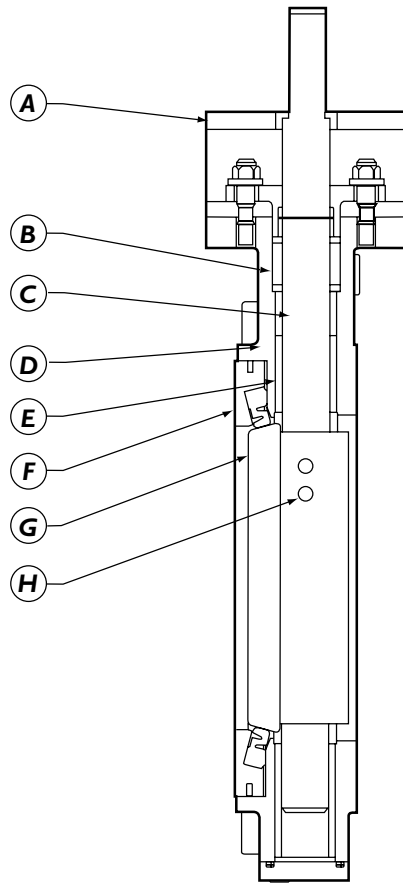


A Mounting Pad
The four-bolt actuator mounting pad readily accepts all types of actuation.

B Adjustable Vee-Ring
Multiple Vee-Ring PTFE stem packing is adjustable and easily accessible without requiring removal of the actuator.

C One-Piece Shaft
Constructed from 316 Stainless Steel. The shaft is internally retained meeting API 609 requirements.

D Body
Available in a one-piece wafer body or lug style for dead-end service. The valves provide bi-directional sealing at full ASME Class 150 ratings.



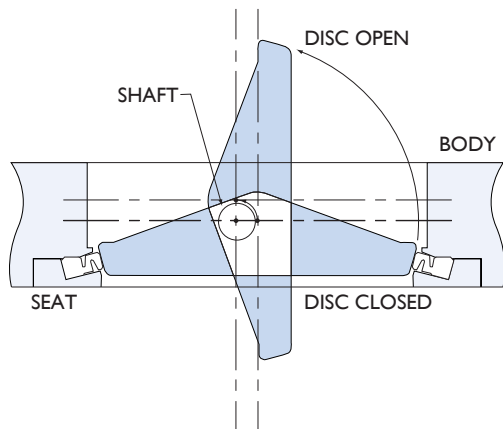
E Bushings
High temperature fiberglass composite backed RPTFE ensuring maximum shaft support.

F Seat Retainer
Employs an uninterrupted gasket surface meeting API 609 requirements.

G Disc Edge
Machined and polished 360° to assure leak-proof positive shut-off. Standard material of construction is type 316 Stainless Steel.

H Taper Pins
Used to provide a solid mechanical connection between the disc and shaft.

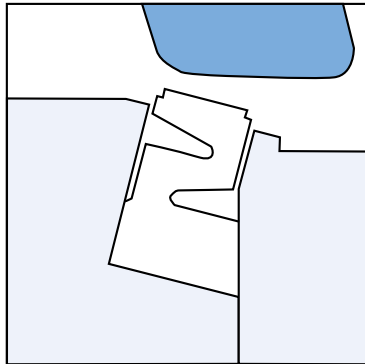
The IFC series BH150W/L high performance butterfly valve is available in sizes 2½" thru 12", wafer or lug body design. Available body materials are A216-WCB Carbon Steel and A351-CF8M Stainless Steel. These valves were designed to meet the stringent requirements for HVAC, Oil and Gas and Industrial applications.



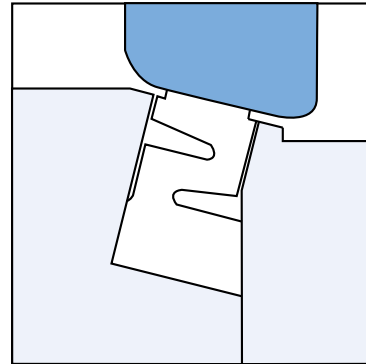
The double offset shaft design assures bi-directional sealing throughout the full pressure range of the valve. The cam-like action produced by the offset disc effectively lifts the disc off the seat during the initial opening of the valve thus reducing seat wear and eliminating seat deformation. When the disc is in the open position no contact exists with the valve seat. This effectively reduces operating torques while extending seat life.

Pressure Assisted Seat Design

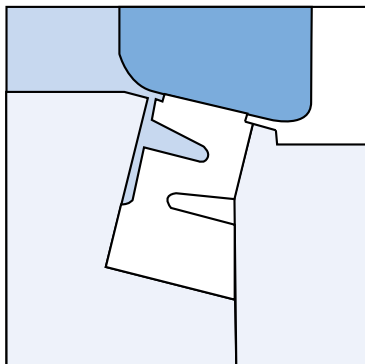
As the seat cross section is bellow shaped, line pressure exerts an upwards force on the seat independent of which side of the seat is under high pressure. This action forces the seat against the disc. Increased line pressure causes tighter sealing, thus ensuring bubble tight sealing at all differential pressures.



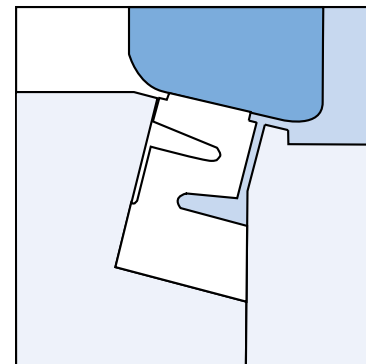
Seat is non-compressed as disc approaches.



Disc is closed with no line pressure.



Disc in closed position; Line pressure applied from left side.



Disc in closed position; Line pressure applied from right side.

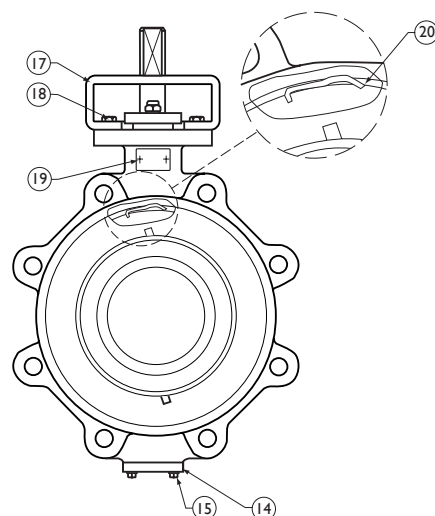
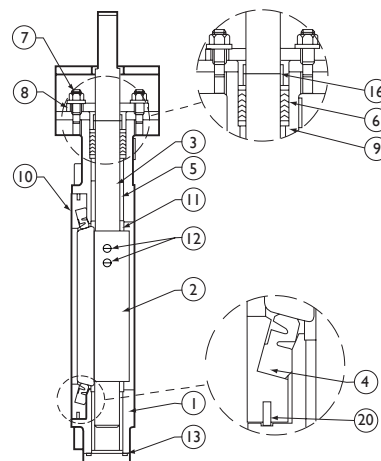
Sealing System Advantages

The IFC Series BH150W/L Butterfly Valve incorporates an innovative seat design that ensures bi-directional bubble tight seating at all differential pressures. Advantages of the IFC sealing system include:

- As system differential pressure increases the seat-disc interface proportionally tightens to maintain an effective seal.
- The seat assembly is locked and slightly compressed in the body recess by a full-faced seat retainer, thus ensuring the seat is secure regardless of the disc position.
- The seat is self adjusting to temperature changes and wear.
- The full face seat retainer is held in place by a circumferential snap spring constructed from Inconel. Unlike competitive designs that use bolts to retain the seat and seat retainer, the IFC design results in "ZERO" interruption across the full gasket seating surface.
- Since no special tools are required for the removal of the seat retainer, seat replacement is extremely easy. Remove the seat retainer by rotating it counter-clockwise, rotate the disc into the closed position and place a new seat into the seat chamber machined into the valve body.

Material Specifications

Part No.	Part Name	Material	
		Carbon Steel	Stainless Steel
1	Body	ASTM A216-WCB	ASTM A351-CF8M (316 SS)
2	Disc	ASTM A351-CF8M (316 SS)	ASTM A351-CF8M (316 SS)
3	Shaft	ASTM A276-316	ASTM A276-316
4	Seat	PTFE/RPTFE	PTFE/RPTFE
5	Bushings x 2	High Temperature Fiberglass Composite Backed RPTFE	High Temperature Fiberglass Composite Backed RPTFE
6	Packing	PTFE - V-Type	PTFE - V-Type
7	Packing Hardware	300 Series Stainless Steel	300 Series Stainless Steel
8	Gland Retainer	ASTM A216-WCB	ASTM A351-CF8M (316 SS)
9	Inner Gland Ring	ASTM A276-316	ASTM A276-316
10	Seat Retainer	ASTM A351-CF8M (316 SS)	ASTM A351-CF8M (316 SS)
11	Thrust Washer	ASTM A276-316	ASTM A276-316
12	Disc Pin	ASTM A276-316	ASTM A276-316
13	O-Ring	Viton	Viton
14	End Cap	ASTM A351-CF8M (316 SS)	ASTM A351-CF8M (316 SS)
15	End Cap Hardware	300 Series Stainless Steel	300 Series Stainless Steel
16	Shaft Retainer Ring	ASTM A276-302	ASTM A276-302
17	Support	ASTM A216-WCB	ASTM A351-CF8M (316 SS)
18	Support Hardware	Plated Carbon Steel	300 Series Stainless Steel
19	Name Plate	300 Series Stainless Steel	300 Series Stainless Steel
20	Spring	Inconel X750	Inconel X750



Standards of Construction

Component	Standard
General Design	API 609, ASME B16.34
Laying Length	MSS-SP-68
Inspection and Testing	API 598

Upper Pressure Limits (Non-Shock)

Body Material	M.A.W.P. psig (Bars) ¹
WCB	285 (19.65)
CF8M	275 (18.96)

Notes: 1. Pressures refer to valve body only. Seat ratings may limit M.A.W.P.
2. Standard vacuum rating is 10 mm Hg.

Steam Rating (Saturated)

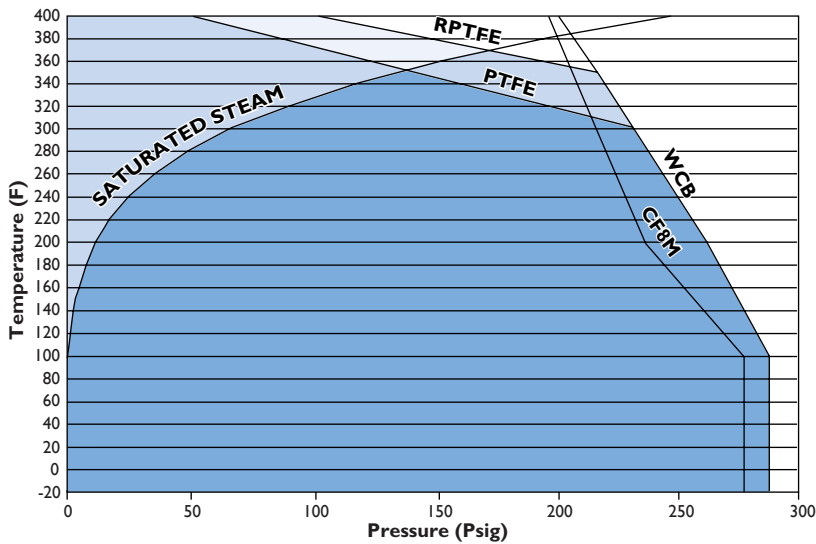
Seat Material	W.S.P. psig (Bars)
RPTFE	150 (10.34)
PTFE	70 (4.82)

Note: Steam ratings refer to On-Off service only. For throttling applications, consult factory.

Lower Temperature Limits

Body Material	Lower Limit °F (°C)
WCB	-20 (-28.9)
CF8M	-20 (-28.9)

IFC BII50W/L Pressure Temperature Chart



CV Values (US-GPM @ 1 Psid)

Size in.	CV Rating
2 1/2"	90
3"	205
4"	403
6"	1075
8"	2243
10"	3885
12"	5925

Note: CV is defined as the volume of water in USGPM that will flow through a given restriction or valve opening with a pressure drop of one (1) psi at room temperature.

Method Of Calculating Flow

Liquid Flow

$$Q_L = C_v \sqrt{\frac{\Delta P}{g}}$$

Q_L = flow rate of liquid (gal./min.)
 ΔP = differential pressure across the valve (psi)
 g = specific gravity of liquid: water = 1.000

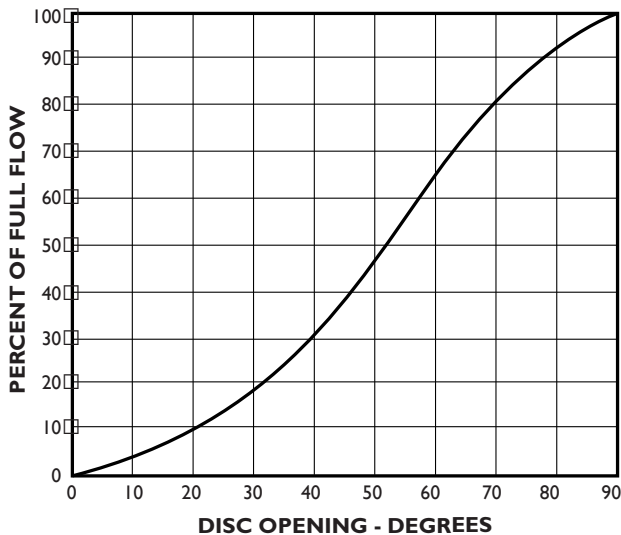
Gas Flow

For non-critical flow ($\frac{\Delta P}{P_2} < 1.0$)

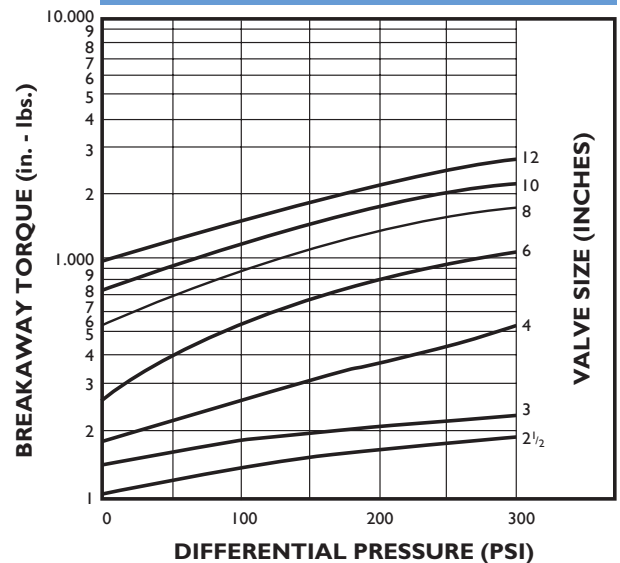
$$Q_g = 61 C_v \sqrt{\frac{P_2 \Delta P}{g}}$$

Q_g = flow rate of gas (CFH at STP)
 P_2 = outlet pressure (psia)
 g = specific gravity of gas: air = 1.000

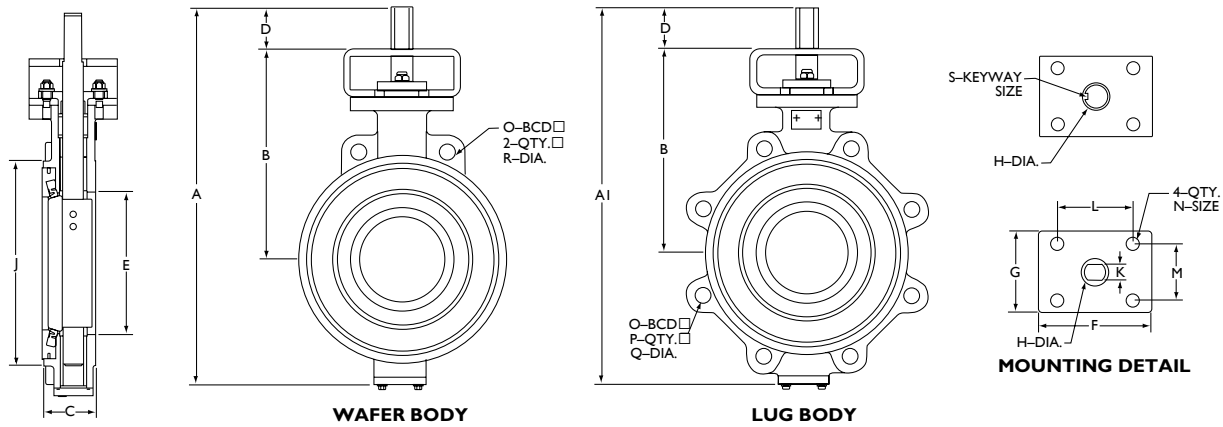
Typical Flow Characteristic Curve



Valve Breakaway Torque (In. Lbs.)



Notes: 1. Selection of actuator torque output must meet or exceed the maximum torque required by the valve.
 2. Under certain conditions, hydrodynamic torque can exceed the breakaway torque and must be considered in selection of actuators.



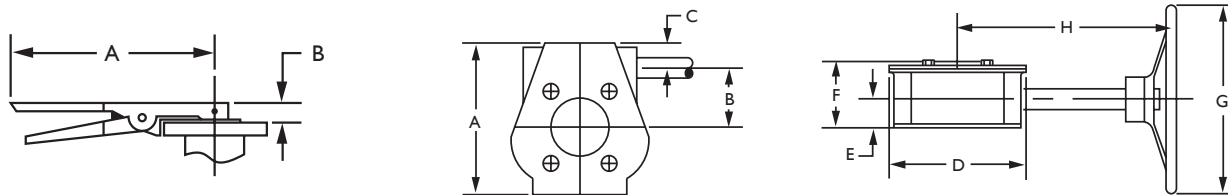
Valve Dimensions

Size	A	AI	B	C	D	E	F	G	H	J	K	L	M	N	O	P	Q	R	S
in	in	in	in	in	in	in	in	in	in	in	in	in	in	in	in	in	in	in	in
(mm)	(mm)	(mm)	(mm)	(mm)	(mm)	(mm)	(mm)	(mm)	(mm)	(mm)	(mm)	(mm)	(mm)	(mm)	(mm)	(mm)	(mm)	(mm)	(mm)
2½"	10.91	10.91	6.61	1.88	1	2.75	3.56	2.75	0.5625	4.41	0.375	3.25	1.50	0.35	5.5	4	5/8"-11 UNC	0.69	-
65	277	277	168	48	25	70	90	70	14	112	10	83	38	9	140			18	
3"	11.75	11.75	7.00	1.88	1	3.38	3.56	2.75	0.5625	5.19	0.375	3.25	1.50	0.35	6	4	5/8"-11 UNC	0.69	-
75	298	298	178	48	25	86	90	70	14	132	10	83	38	9	152			18	
4"	13.88	14.38	8.56	2.13	1	4.31	3.56	2.75	0.6250	6.38	0.500	3.50	2.00	0.41	7.5	8	5/8"-11 UNC	0.69	-
100	353	365	217	54	25	109	90	70	16	162	13	89	51	10	191			18	
6"	16.13	16.56	9.75	2.25	1	6.25	5.31	3.75	0.8750	8.56	0.625	3.50	2.00	0.41	9.5	8	3/4"-11 UNC	0.81	-
150	410	421	248	57	25	159	135	95	22	217	16	89	51	10	241			21	
8"	18.75	19.25	10.63	2.5	1.75	8.25	5.31	3.75	1.1250	10.63	0.875	4.00	2.50	0.56	11.75	8	3/4"-11 UNC	0.81	-
200	476	489	270	64	44	210	135	95	29	270	22	102	64	14	298			21	
10"	22.75	23.63	12.25	2.81	2.93	10.31	5.31	3.75	1.1250	12.81	0.875	4.75	3.25	0.56	14.25	12	7/8"-11 UNC	0.94	-
250	578	600	311	71	74	262	135	95	29	325	22	121	83	14	362			24	
12"	26.25	27.38	14.38	3.19	3.03	12.25	4.93	3.75	1.2500	15.25	-	5.00	3.50	0.69	17	12	7/8"-11 UNC	0.94	0.25x1.38
300	667	695	365	81	77	311	125	95	32	387		127	89	18	432			24	

Notes: 1. Quantity P and dimension Q refer to lug style. Dimension R refers to wafer style.
 2. Valves are designed for installation between ASME B16.5 Class 150 flanges.
 3. Gaskets are required.

4. Dimension H is +/- 0.0008"
 5. Dimension K is +/- 0.001"
 6. Dimension S is +/- 0.001"

Manual Actuator Dimensions



Lever

Valve Size	A	B	Weight
in	in	in	Lb.
(mm)	(mm)	(mm)	(Kg)
2½" - 4"	10.50	1.25	2
65-100	267	32	0.9
6" - 12"	14.13	1.97	5
150-300	359	50	2.3

Gear

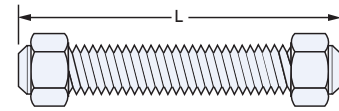
Valve Size	A	B	C	D	E	F	G	H	Weight
in	in	in	in	in	in	in	in	in	Lb.
(mm)	(mm)	(mm)	(mm)	(mm)	(mm)	(mm)	(mm)	(mm)	(Kg)
2½" - 6"	5.00	1.75	1.13	4.13	1.31	2.63	6.00	7.63	10.4
65-150	127	44	29	105	33	67	152	194	4.7
8" - 12"	7.00	2.63	1.38	6.00	1.69	3.38	12.00	10.57	26.5
200-300	178	67	35	152	43	86	305	268	12

Note: It is recommended that handles be used thru 6" valve size for liquid or rated pressure service. 8" - 12" valves with handles should only be used on gas and low pressure applications.

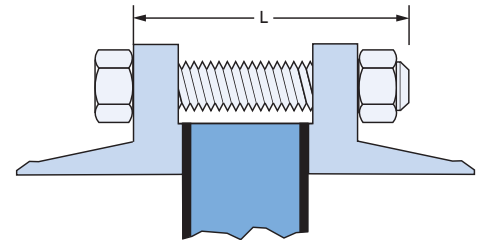
Wafer- Recommended Flange Bolt Lengths

Valve Size	Qty.	Bolt Size	Length Of Fasteners (L) Threaded Studs Bolts	
2 1/2"	4	5/8"-UNC	5 1/8"	4 5/8"
3"	4	5/8"-UNC	5 3/8"	4 5/8"
4"	8	5/8"-UNC	5 3/8"	4 7/8"
6"	8	3/4"-UNC	6 1/8"	5 3/8"
8"	8	3/4"-UNC	6 5/8"	5 7/8"
10"	12	7/8"-UNC	7 3/8"	6 3/8"
12"	12	7/8"-UNC	7 7/8"	7 1/8"

Note: Bolt lengths are based on ANSI class 150 weld neck flanges per ASME B1.6.5 and a gasket thickness of 0.13".



THREADED STUDS

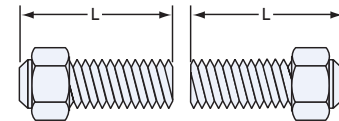


BOLTS

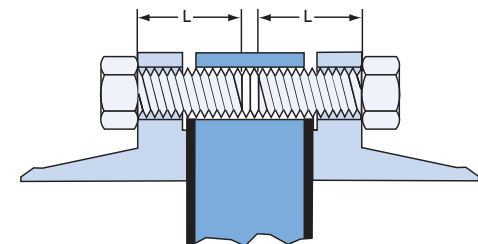
Lug-Recommended Flange Bolt Lengths

Valve Size	Qty.	Bolt Size	Length Of Fasteners (L) Threaded Studs Bolts	
2 1/2"	4	5/8"-UNC	2 5/8"	2 1/4"
3"	4	5/8"-UNC	2 3/4"	2 1/4"
4"	8	5/8"-UNC	2 7/8"	2 5/8"
6"	8	3/4"-UNC	3 1/8"	2 5/8"
8"	8	3/4"-UNC	3 3/8"	2 7/8"
10"	12	7/8"-UNC	3 3/4"	3 1/8"
12"	12	7/8"-UNC	4"	3 1/2"

Note: Bolt lengths are based on ANSI class 150 weld neck flanges per ASME B1.6.5 and a gasket thickness of 0.13".



THREADED STUDS



BOLTS

IFC Series BHI50W/L Valve Weights

Valve Size	2 1/2	3	4	6	8	10	12
Wafer (Lb.)	12	12	16	30	50	80	150
Wafer (Kg.)	5.4	5.4	7.3	13.6	22.7	36.3	68.0
Lug (Lb.)	17	17	23	42	70	112	210
Lug (kg.)	7.7	7.7	10.4	19.1	31.8	50.8	95.3

Note: Valve weights refer to valve only.

1.0 Piping and Flange Considerations

The IFC Series BH150W/L butterfly valves are to be installed between pipeline flanges that conform to ASME B16.5 Class 150. The use of slip-on or weld neck flanges has no effect on the pressure temperature rating of the valves.

2.0 Installation

Prior to installation, inspect valve and mating flanges to assure gasket surfaces are free of defects. Remove all foreign material such as weld spatter, oil, grease and dirt from the valve, flanges and pipeline. Do not mount valves between flanges having defective gasket surfaces.

- A. Check the distance between pipe flanges to ensure clearance for valve. Check piping for proper alignment.
- B. Place valve so that the disc has been positioned to a partially open position, with the disc edge about $\frac{1}{4}$ " to $\frac{3}{8}$ " from the face of the seat (approximately 10° open). In general, IFC recommends that the valve be installed with the stem in the vertical position and the actuator mounted directly above the valve.
- C. Check valve for proper alignment
 - On wafer valves, visually center the valve with respect to the flange faces.
 - Center lugged valves with the flange bolting. Never use lugged butterfly valves to align improperly positioned piping.
- D. Operate the valve to assure that no binding or interference exists.
- E. Tighten flange bolting evenly in a crisscross pattern. The flange joint is complete when there are no gaps between the valve body and the flange faces. Bolting should then be tightened sufficiently to prevent loosening.

The following additional procedures should be observed when installing butterfly valves between welding flanges.

- A. Assemble inlet and outlet flanges to the valve body and tighten.
- B. Align the flange/body/flange assembly to the pipe in which the valve is being installed.
- C. Tack weld flanges to the pipe.
- D. After tack welding, remove the bolts and valve from the pipe flanges and complete the welding of the valve installation flanges.

Important: To prevent seat damage, allow the flanges to cool before final installation of the butterfly valve.

3.0 Valve Removal

Warning: Pipeline pressure can cause personal injury or equipment damage. Relieve pipeline pressure before loosening flange bolts and disable/lock valve actuator before valve removal.

- A. Discontinue pipeline flow, relieve pressure where the valve is located in the pipeline and close the valve.
- B. If the actuator is powered, disconnect and lock out the power to prevent accidental operation of the actuator.
- C. Support the valve and remove the mounting bolts or studs.
- D. Carefully lift the valve from the pipeline.

4.0 Operation

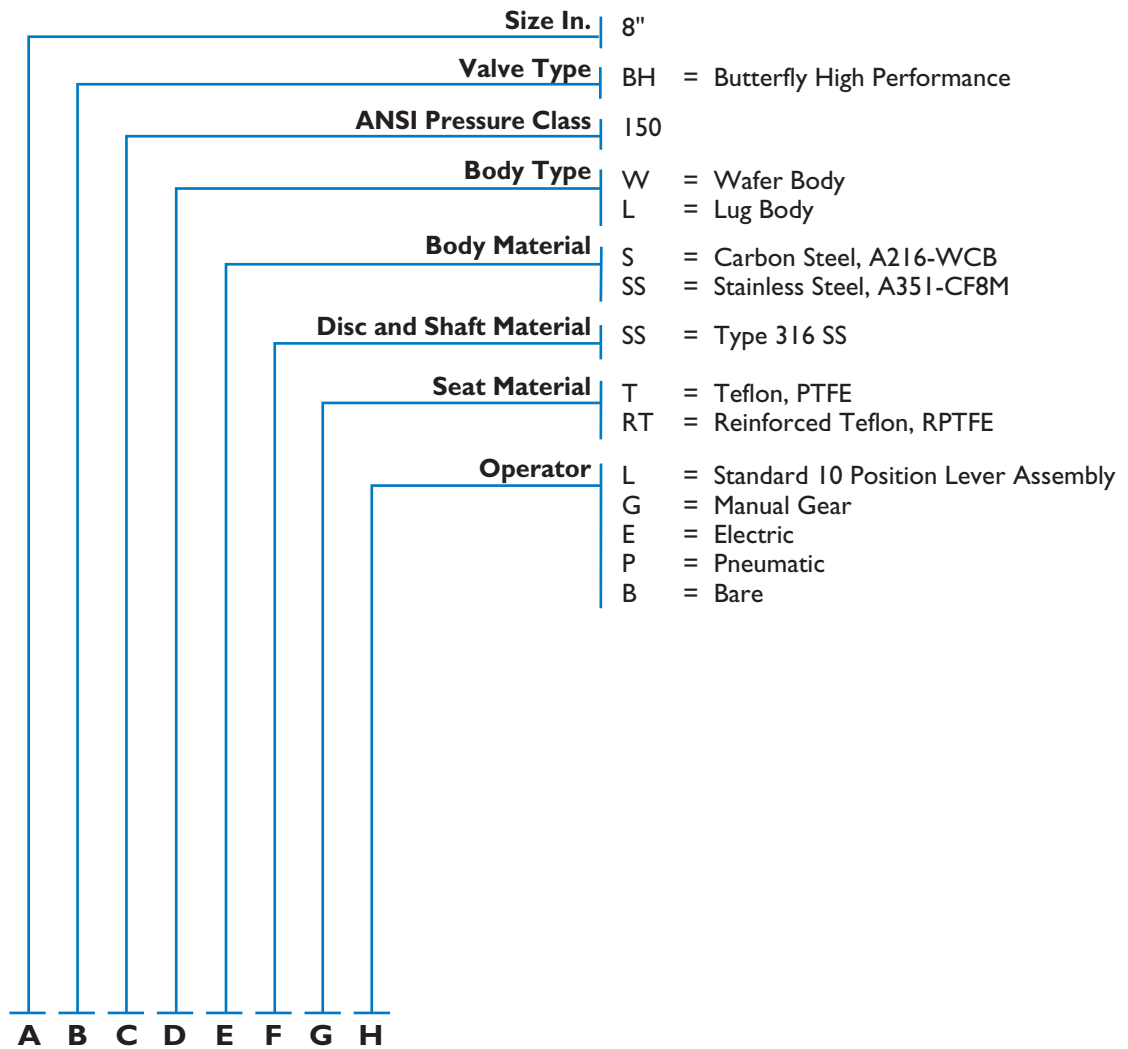
The IFC Series BH150W/L operates such that clockwise rotation of the valve shaft closes the disc into the seat.

- A. **SHAFT SEAL:** The shaft seal consists of Teflon packing that is contained and compressed by the packing gland. If the packing leaks, tighten the two adjustment nuts on top of the packing gland. If tightening cannot stop the leak replace the packing.
- B. **DISC SEAT:** The disc seat is constructed from Teflon and has a bellow shaped cross-section. A seat retainer that utilizes circumferential snap springs to hold the seat retainer in place retains the seat. The benefit to this design is that there is no interruption across the full gasket-seating surface, thus eliminating any potential emission leak path. If the seat requires replacement place the valve in the horizontal position with the seat retainer side upwards. Remove the seat retainer by rotating it counter clockwise. Rotate the disc clockwise into the closed position and remove the damaged seat. Clean the seat chamber machined into the body and install the new seat. Ensuring that the circumferential snap rings are positioned correctly place the seat retainer into the seat chamber and rotate clockwise until the snap rings engage. Seat replacement is complete.

5.0 Maintenance

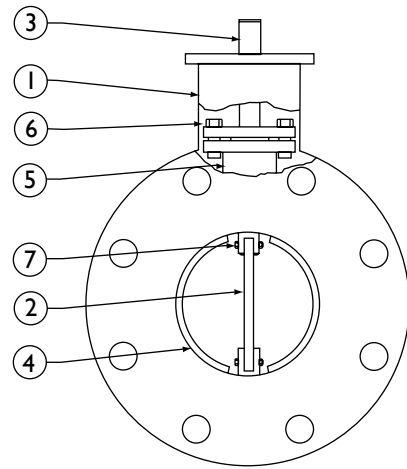
The many IFC features minimize wear and maintenance requirements. IFC Series BH150W/L valves require no periodic maintenance or lubrication. IFC does recommend the following actions on a monthly basis:

- A. Operate the valve from full open to full close to assure operability.
- B. Check bolting for evidence of loosening and correct as required.
- C. Inspect flange faces and valve stem for signs of leakage. Tighten packing gland if necessary.
- D. Check piping and related accessories (i.e. actuator) for looseness, corrosion or defects. Correct as required.



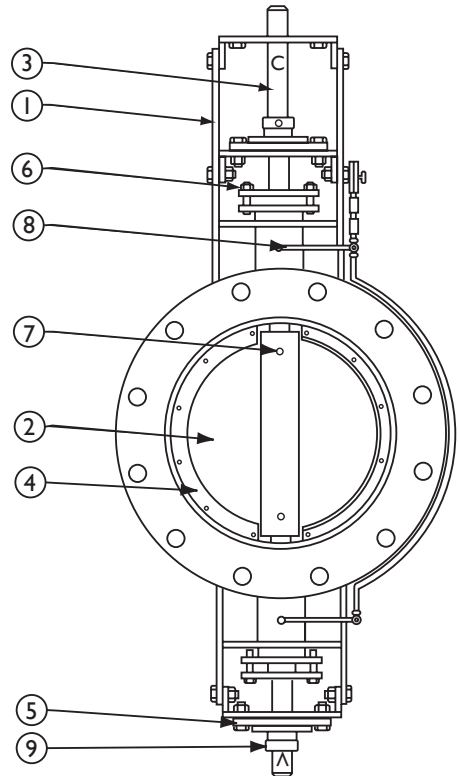
Material Specifications - IFC Series BDC

Part No.	Part Name	Description	Material Specifications
1	Body	Carbon Steel	ASTM A36, ASTM A516-70
		Stainless Steel	ASTM A240
2	Disc	Carbon Steel	ASTM A36, ASTM A516-70
		Stainless Steel	ASTM A240
3	Shaft	Stainless Steel	ASTM A479
4	Seat	Buna-N, EPDM, Viton, Fibre, Metal to Metal	
5	Bushings	Meehanite	
6	Packing	Teflon	
7	Pin	Stainless Steel	

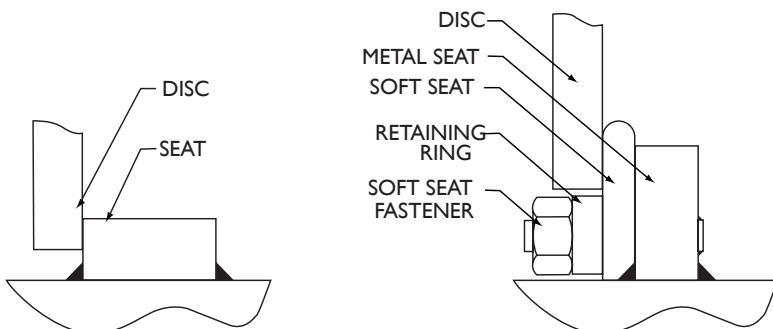


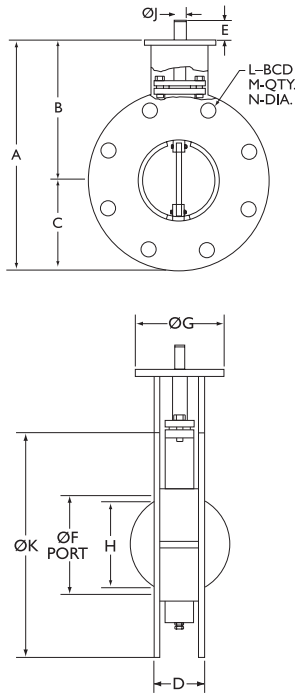
Material Specifications - IFC Series BDI

Part No.	Part Name	Description	Material Specifications
1	Body	Carbon Steel	ASTM A36, ASTM A516-70
		Stainless Steel	ASTM A240
2	Disc	Carbon Steel	ASTM A36, ASTM A516-70
		Stainless Steel	ASTM A240
3	Shaft	Stainless Steel	ASTM A479
4	Seat	Buna-N, EPDM, Viton, Fibre, Metal to Metal	
5	Bearing	Set screw type C/W flange	
6	Packing	Graphoil	
7	Pin	Stainless Steel	
8	Purge Assembly	Stainless Steel (Optional)	
9	Stop Collar	Carbon Steel	



Seat Details - IFC Series BDC/BDI



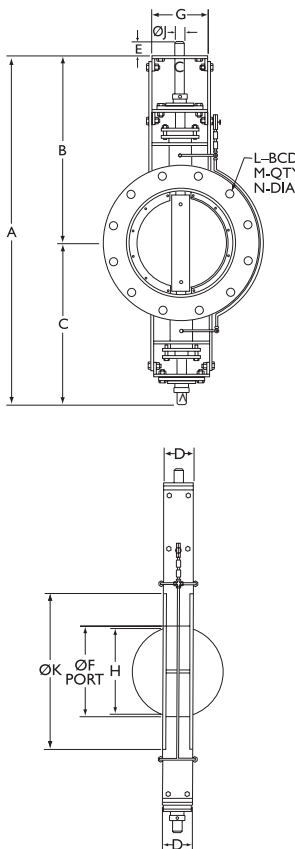


IFC Series BDC Dimensions - Sizes 3 - 24

Size in (mm)	A in (mm)	B in (mm)	C in (mm)	D in (mm)	E in (mm)	F in (mm)	G in (mm)	H in (mm)	J in (mm)	K in (mm)	L in (mm)	M in (mm)	N in (mm)
3"	11.25	7.50	3.75	2.00	1.25	3.00	3.00	2.25	0.50	7.50	6.00	4	0.75
75	286	191	95	51	32	76	76	57	13	191	152	4	19
4"	12.75	8.25	4.50	2.00	1.25	4.00	3.63	3.50	0.63	9.00	7.50	8	0.75
100	324	210	114	51	32	102	92	89	16	229	191	8	19
5"	13.75	8.75	5.00	2.25	1.25	5.00	3.63	4.50	0.75	10.00	8.50	8	0.88
125	349	222	127	57	32	127	92	114	19	254	216	8	22
6"	14.75	9.25	5.50	2.25	1.25	6.00	3.63	5.56	0.75	11.00	9.50	8	0.88
150	375	235	140	57	32	152	92	141	19	279	241	8	22
8"	17.25	10.50	6.75	2.50	1.75	8.00	4.5	7.63	0.88	13.50	11.75	8	0.88
200	438	267	171	64	44	203	114	194	22	343	298	8	22
10"	19.75	11.75	8.00	3.00	1.75	10.00	4.50	9.56	1.13	16.00	14.25	12	1.00
250	502	298	203	76	44	254	114	243	29	406	362	12	25
12"	22.75	13.25	9.50	3.50	1.75	12.00	5.50	11.50	1.25	19.00	17.00	12	1.00
300	578	337	241	89	44	305	140	292	32	483	432	12	25
14"	24.75	14.25	10.50	3.50	1.75	14.00	5.50	13.56	1.25	21.00	18.75	12	1.12
350	629	362	267	89	44	356	140	344	32	533	476	12	28
16"	27.25	15.50	11.75	4.00	1.75	16.00	5.50	15.50	1.25	23.50	21.25	16	1.12
400	692	394	298	102	44	406	140	394	32	597	540	16	28
18"	28.75	16.25	12.50	4.25	1.75	18.00	5.50	17.50	1.25	25.00	22.75	16	1.25
450	730	413	318	108	44	457	140	445	32	635	578	16	32
20"	31.25	17.50	13.75	4.88	1.75	20.00	5.50	19.44	1.25	27.50	25.00	20	1.25
500	794	445	349	124	44	508	140	494	32	699	635	20	32
24"	37.38	21.38	16.00	5.94	1.75	24.00	5.50	23.25	1.25	32.00	29.50	20	1.38
600	949	543	406	151	44	610	140	591	32	813	749	20	35

Notes:

1. Dimensions may be modified to suit customer requirements.
2. Above dimensions are for valves designed for installation between ASME B16.1 Class 125 and ASME B16.5 Class 150 flanges.
3. 14" valves and larger are not suitable for liquid service. Please consult factory.
4. Mounting pad is in accordance with ISO 5211 (Sizes 3" thru 12" only).



IFC Series BDI Dimensions - Sizes 10 - 60

Size in (mm)	A in (mm)	B in (mm)	C in (mm)	D in (mm)	E in (mm)	F in (mm)	G in (mm)	H in (mm)	J in (mm)	K in (mm)	L in (mm)	M in (mm)	N in (mm)
10"	42.50	22.63	19.88	4.00	1.75	10	8.25	9.19	1.25	16.00	14.25	12	1.00
250	1080	575	505	102	44	254	210	233	32	406	362	12	25
12"	44.50	23.63	20.88	4.00	1.75	12	8.25	11.31	1.25	19.00	17.00	12	1.00
300	1130	600	530	102	44	305	210	287	32	483	432	12	25
14"	46.50	24.63	21.88	4.00	1.75	14	8.25	13.38	1.25	21.00	18.75	12	1.12
350	1181	625	556	102	44	356	210	340	32	533	476	12	28
16"	48.50	25.63	22.8	4.00	1.75	16	8.25	15.50	1.25	23.50	21.25	16	1.12
400	1232	651	581	102	44	406	210	394	32	597	540	16	28
18"	50.50	26.63	23.88	4.00	1.75	18	8.25	17.50	1.25	25.00	22.75	16	1.25
450	1283	676	606	102	44	457	210	445	32	635	578	16	32
20"	52.50	27.63	24.88	4.00	1.75	20	8.25	19.63	1.25	27.50	25.00	20	1.25
500	1334	702	632	102	44	508	210	499	32	699	635	20	32
24"	57.50	30.63	26.88	6.00	1.75	24	8.75	23.25	1.50	32.00	29.50	20	1.38
600	1461	778	683	152	44	610	222	591	38	813	749	20	35
28"	61.50	32.63	28.88	6.00	1.75	28	8.75	23.25	1.50	36.50	34.00	28	1.38
700	1562	829	733	152	44	711	222	591	38	927	864	28	35
30"	63.50	33.63	29.88	6.00	1.75	30	8.75	29.38	1.50	38.75	36.00	28	1.38
750	1613	854	759	153	44	762	222	746	38	984	914	28	35
32"	65.50	34.63	30.88	5.13	1.75	32	8.75	31.50	1.50	41.75	38.50	28	1.62
800	1664	879	784	130	44	813	222	800	38	1060	978	28	41
36"	69.50	36.63	32.88	6.00	1.75	36	8.75	35.50	1.50	46.00	42.75	32	1.62
900	1765	930	835	152	44	914	222	902	38	1168	1086	32	41
40"	73.50	38.63	34.88	6.00	1.75	40	8.75	39.50	1.50	50.75	47.25	36	1.62
1000	1867	981	886	152	44	1016	222	1003	38	1289	1200	36	41
42"	75.50	39.63	35.88	6.00	1.75	42	8.75	41.50	1.50	53.00	49.50	36	1.62
1050	1918	1006	911	152	44	1067	222	1054	38	1346	1257	36	41
48"	82.50	43.63	38.88	8.00	1.75	48	9.25	47.38	2.00	59.50	56.00	44	1.62
1200	2096	1108	987	203	44	1219	235	1203	51	1511	1422	44	41
54"	88.50	46.63	41.88	8.00	1.75	54	9.25	53.50	2.00	66.25	62.75	44	1.88
1350	2248	1184	1064	203	44	1372	235	1359	51	1683	1594	44	48
60"	94.50	49.63	44.8	8.00	1.75	60	9.25	59.50	2.00	73.00	69.25	52	1.88
1500	2400	1260	1140	203	44	1524	235	1511	51	1854	1759	52	48

Notes:

1. Dimensions may be modified to suit customer requirements.
2. Above dimensions are for valves designed for installation between ASME B16.1 Class 125, ASME B16.5, Class 150 and ASME B16.47 Series A Class 150 flanges.
3. Consult factory for valves to be used on liquid service.
4. Valve top works modified to suit operator.

Standards of Construction

Component	Standard
General Design	ASME Section VIII, Div. I.
Welding	ASME Section IX
Mounting Pad	ISO 5211 (Sizes 3" thru 12", Style DBC Only)
Laying Length	ISO 5752 (Sizes 16" thru 24", Style DBC Only)
Inspection	ANSI/FCI 70-2-1991

Note: Standard valves are supplied with class I shut-off. Valves may be supplied to meet up to class IV shut-off. Please consult factory.

Seat Temperature Limits ;F (;C)

Seat Metal	EPDM	Buna-N	Viton	Fibre
Min. -20 (-28.9)	-20 (-28.9)	0 (-17.8)	0 (-17.8)	-20 (-28.9)
Max. 1200 (649)	250 (121)	212 (100)	400 (204)	1000 (537)

Upper Pressure Limits (Non-Shock)

Valve Size	M.A.W.P.
3" - 60" (75-1500 mm)	15 psig (Bi-directional)

Note: Valves rated for full vacuum service.

Velocity Limits

Fluids	30 Ft/s (10 m/s)
Gases	200 Ft/s (65 m/s)

Note: For greater velocities consult factory.

Body Temperature Limits

Body Material	Max. Temperature ;F (;C)
Carbon Steel	800 (427)
Stainless Steel 316	1200 (649)

CV Values (US-GPM @ 1 psid)

Size in.	DISC POSITION (Degrees)								
	10 _i	20 _i	30 _i	40 _i	50 _i	60 _i	70 _i	80 _i	90 _i
2"	1	10	13	34	48	65	80	119	151
2½"	2	14	21	50	72	101	159	228	249
3"	3	18	32	68	101	148	263	369	438
4"	4	30	59	116	176	268	492	606	648
5"	5	46	96	177	273	422	771	1151	1384
6"	6	69	126	232	369	561	1021	1547	1857
8"	14	105	238	528	685	1075	1858	2647	3323
10"	18	165	379	674	1081	1704	2944	4530	5437
12"	32	238	652	1012	1599	2557	4389	6736	8084
14"	36	302	751	1307	2154	3375	5935	8879	10545
16"	48	400	999	1756	2852	4477	7863	11766	13973
18"	62	810	1278	2244	3648	5730	10051	14501	17221
20"	69	635	1592	2793	4541	7138	12531	16817	22356
24"	220	925	2324	3071	8623	10415	17977	27723	32700
30"	330	1452	3684	6439	10479	16488	28454	44860	52912
36"	492	2122	6347	8349	15216	23948	41327	65964	77792
42"	673	2904	7323	12801	20835	32797	54576	84579	102868
48"	890	4040	9609	16792	27336	43033	70481	108791	132801
54"	1150	4130	12205	21326	34718	54658	89519	138240	168749
60"	1470	6351	15111	26501	42981	57671	110829	172384	204484

Method Of Calculating Flow

Liquid Flow

$$Q_L = C_v \sqrt{\frac{\Delta P}{g}}$$

Q_L = flow rate of liquid (gal./min.)
 ΔP = differential pressure across the valve (psi)
 g = specific gravity of liquid: water = 1.000

Gas Flow

For non-critical flow ($\frac{\Delta P}{P_2} < 1.0$)

$$Q_g = 61 C_v \sqrt{\frac{P_2 \Delta P}{g}}$$

Q_g = flow rate of gas (CFH at STP)
 P₂ = outlet pressure (psia)
 g = specific gravity of gas: air = 1.000

Size In.	16"
Valve Type	BDC = Damper Butterfly Valve (Commercial) BDI = Damper Butterfly Valve (Industrial)
Flange Bolt Pattern	150 = ANSI 150 Lb. 300 = ANSI 300 Lb. O = Other (Specify)
Body Type	W = Wafer Body L = Lug Body
Body Material	S = Carbon Steel SS4* = 304 Stainless Steel SS6* = 316 Stainless Steel *Add letter L for low carbon grade material
Disc Material	S = Carbon Steel SS4* = 304 Stainless Steel SS6* = 316 Stainless Steel *Add letter L for low carbon grade material
Shaft Material	SS4* = 304 Stainless Steel SS6* = 316 Stainless Steel *Add letter L for low carbon grade material
Shaft Support	M = Upper and lower Meehanite bushings R = Upper and lower External bearings
Seat Material	M = Metal to Metal B = Buna-N E = EPDM V = Viton F = Fiberflax Tape Inconel Wire Reinforced N = None (Swing Thru Disc)
Packing Material	T = Teflon G = Graphoil
Operator	L = Standard 10 Position Lever Assembly LI = Infinite Position Lever Assembly G = Manual Gear E = Electric P = Pneumatic B = Bare
Options	Please specify

A B C D E F G H I J K L

Value Added Flow Control Products For All Industries.



1145 Sutton Drive, Unit 3
Burlington, Ontario
Canada L7L 5Z8

P.O. Box 2989
Buffalo, New York
USA 14240-2989

Toll Free Tel: 1-866-872-0072
Toll Free Fax: 1-866-872-0073
Telephone: 905-335-8777
Fax: 905-335-0977

www.islipfci.com

IFC-3-04-B